

**RADA**



## SIMPLICITY IN VIDEO CAPTURE

**ePTZ  
VERSACAM**

### KEY FEATURES:

**Auto  
Framing  
& Zoom**

Include  
Every Participant

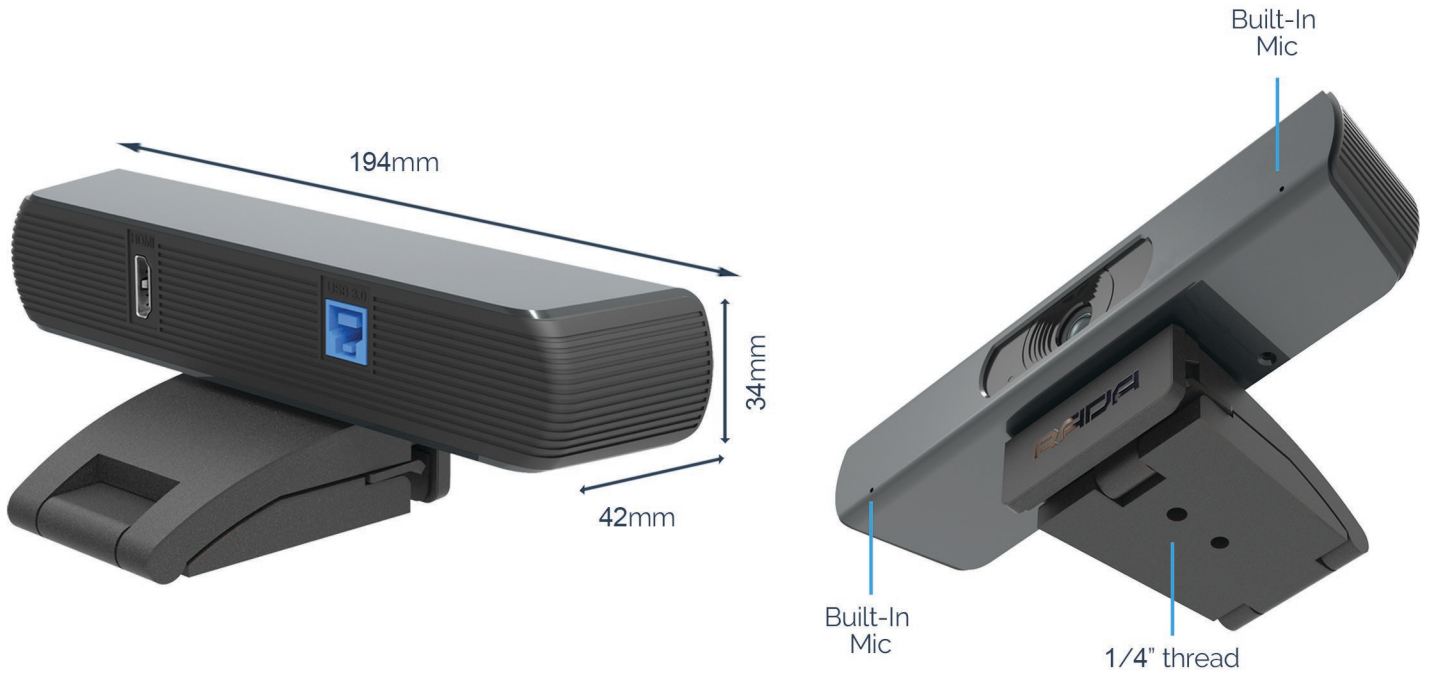
**Dual  
Output**

HDMI Video &  
USB Audio+Video

**Built-In  
Mic**

Omnidirectional Mic  
with Noise Suppression

# PRODUCT ARCHITECTURE



### Superior Image Quality

4K UltraHD, 1080p Full HD.

### Auto Framing & Auto Zoom

Frames image to include every participant.

### Dual Output

HDMI Video and USB with Audio and Video.

### Built-In Microphone

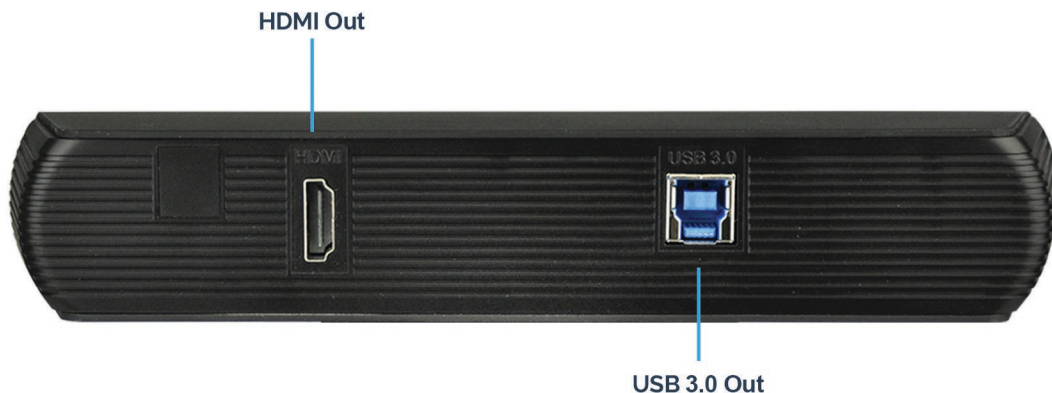
Up to 12 meters omnidirectional mic with noise suppression.

### Versatile Mount with Thread

1/4" standard thread and foldable bracket makes it easy to mount VersaCam on a bracket, table, shelf, display, and other surfaces.

- ePTZ
- Auto Focus
- Wide Angle 120° Degrees Lens
- WDR
- 1/2.5" CMOS Sensor
- 2D/3D Noise Reduction Algorithm
- Image Signal to Noise Ratio up to 55dB or More

# CONNECTION DIAGRAM



## TECHNICAL SPECIFICATIONS

Model Name	A-VC01
<b>Camera</b>	
Video System (HDMI)	4K@30fps, 1080P@30fps, 1080I@60/50fps
Sensor	1/2.5", CMOS, Effective Pixel: 8.51M
Zoom	8x Digital Zoom
Scanning Mode	Progressive
Lens	Focus: f=2.8mm, FOV: 120°
Auto Focus	Supported
Minimal Illumination	0.05 Lux, (F1.8, AGC ON)
Shutter	1/30s ~ 1/10000s
White Balance	Auto, Indoor, Outdoor, One Push, Manual
Camera Bracket	Bracket with damper
Digital Noise Reduction	2D/3D digital noise reduction
Backlight Compensation	Supported
Presets	10 positions (via IR remote), 255 positions (via UVC commands)
<b>USB Features</b>	
Operating System	Windows® 7 (1080P and under only), Windows 8.1, Windows 10 or higher MacOS™ 10.10 or higher Linux
System Requirements	2.4 GHz Intel® Core 2 Duo processor or higher 2 GB RAM or more USB 2.0 port (USB 3.0 required for 4K)
Color System / Compression	H.264 / MJPEG / YUY2 / VAR
Resolution	4K@30fps, 1080P@30fps, 1080I@60/50fps
USB Video Communication Protocol	UVC v1.0/v1.1/v1.5
UVC PTZ	ePTZ
<b>Input/Output Interface</b>	
USB Interface	1x USB 3.0: Type B, female
HDMI Interface	1x HDMI: Version 1.4
<b>General Specification</b>	
Input Voltage	5V (USB power supply)
Current Consumption	1A
Operating Temperature	-10°C ~ 40°C (14°F ~ 104°F)
Storage Temperature	-40°C ~ 60°C (-40°F ~ 140°F)
Power Consumption	5W
Size	194mm x 42mm x 34mm (without bracket)
Net Weight	0.5 Kg
Accessories	Remote controller / USB Cable / User Manual