

RADPA



**FOCUS ON
WHAT MATTERS**

BUT IN 

**AI
TRACKING
CAMERA**

KEY FEATURES:

**Intelligent
Tracking**

**Full Pan, Tilt and Auto-Zoom
Tracking out of the box**

**Multiple
Outputs**

**NDI|HX, HDMI, 3G-SGI,
USB, Network
Audio, Video, and Control**

4KP60

Ultra-High-Definition Quality

PRODUCT ARCHITECTURE



One Camera for Tracking and Imaging

The camera has the capability to locate and follow presenters using just one lens, showcasing them in exceptionally clear UHD quality.

Versatile AI Tracking Modes Without the Need for Apps

Tracking works effortlessly without extra setup, customizable through the camera's web interface. In 'Presenter' mode, it reliably follows moving presenters until they exit the camera's view. The camera also offers Zone Tracking, enabling you to set up presets in up to four designated zones for seamless tracking as the target moves between them.

Ultra-high-definition Quality

With its remarkable 4K resolution, this camera delivers unparalleled video quality. Capturing and streaming stunning 4K video ensures exceptional clarity and detail. Whether recording or streaming, it immerses your audience in vivid visuals and crisp imagery.

Auto-Zoom Adjustment

Camera will automatically adjust zoom level based on the distance to the tracking target, achieving the best image results in terms of size and proportion.

Anti-Interference

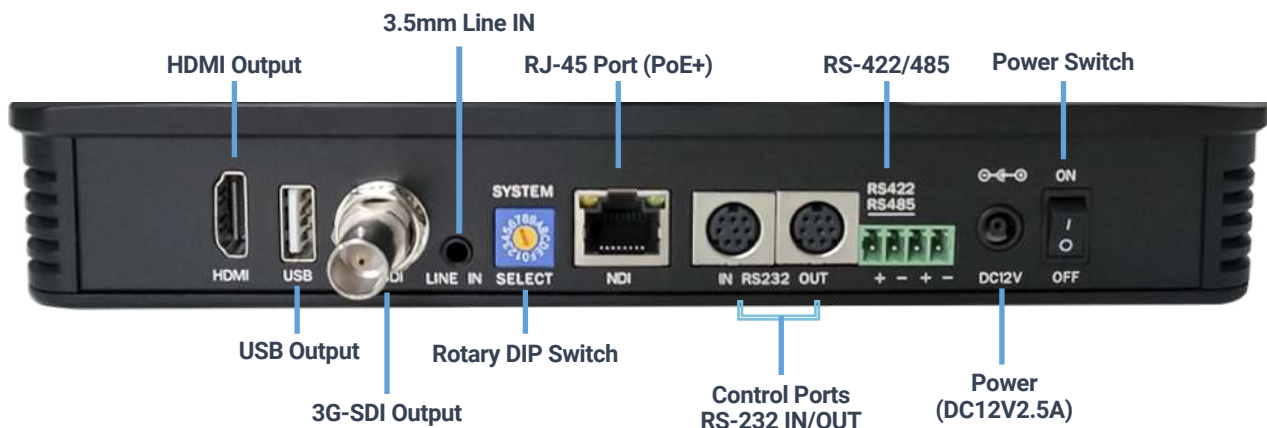
Once the tracking target is locked, the camera will persistently follow it and ignore other moving targets.

Wide Compatibility

The camera offers versatile compatibility with various interfaces and protocols, expanding its usability across a wide range of applications and AV hardware. It seamlessly integrates with popular video conferencing tools like Zoom, Skype, and OBS, in addition to supporting multiple connectivity options, including USB, HDMI, and various network protocols, such as ONVIF Profile S. Moreover, it comes pre-equipped with an NDI-HX license, allowing effortless connectivity with computers, mobile devices, and professional AV hardware via a simple network cable connection. This broad compatibility ensures the camera's adaptability to diverse settings and use cases.

- Inbuilt Gravity Sensor for Image Auto-Flip
- 1/1.8" Sony CMOS Sensor
- H.264/H.265/YUY2/NV12/MJPEG Video Compression
- ONVIF Profile S, RTSP, RTMP, RTMPS, SRT, NDI|HX Compatible Protocols
- Step Driving Motor Mechanism

CONNECTION DIAGRAM



TECHNICAL SPECIFICATIONS

Camera Parameters	
Optical Zoom	25X
Focal Length	f=7.1 mm ~ 171.95 mm ±5%
Field of View	Horizontal: 2.5° (N) ~ 59.2° (W) Vertical: 1.4° (N) ~ 34.6° (W)
Iris Value	F1.61 ~ F5.19±5%
Image Sensor	1/1.8 inch SONY CMOS sensor
Effective Pixels	8.29 Megapixels (16:9)
Video Format	HDMI: 3840*2160P60/50/25/59.94/29.97; 1080P60/50/30/25/59.94/29.97; 1080I60/50/59.94;720P60/50/59.94; SDI: 1080P60/50/30/25/59.94/29.97; 1080I60/50/59.94; 720P60/50/59.94; USB2.0: MJPEG: 3840*2160/1920*1080/1280*720/1024*768/1024*576/800*600/720 *576/720*480/704*576/640*480/640*360/352*288/320*240P30; H264: 3840*2160/1920*1080/1280*720/1024*768/1024*576/800*600/720 *576/720*480/704*576/640*480/640*360/352*288/320*240P30; H265: 1920*1080/1280*720/1024*768/1024*576/800*600/720*576/720 *480/704*576/640*480/640*360/352*288/320*240P30; YUY2: 800*448/720*480P25/640*360/432*240P30 NV12: 800*448P25/640*480/640*360/432*240P30
Minimum Illumination	0.05Lux (F1.8, AGC ON)
DNR	3D DNR
White Balance	Auto/Manual/One Push/Specified Temperature
Focus	Auto/Manual/One Push
Exposure Mode	Auto/Manual/Shutter Priority/Aperture Priority/ Brightness Priority
Aperture	F1.8 ~ F11, CLOSE

TECHNICAL SPECIFICATIONS

Shutter Speed	1/25~1/10000
BLC	ON/OFF
WDR	OFF/Dynamic Level Adjustment
Video Adjustment	Brightness, Colour, Saturation, Contrast, Sharpness, B/W Mode, Gamma Curve
SNR	≥50dB
Tracking Function	
Tracking Type	AI Tracking
Tracking Distance	Effective tracking at distances up to 20 metres
Tracking Modes	Presenter (camera follows the first target it spots) Zone Tracking (4 tracking zones can be set up, which can be set within -110°~+110° in horizontal and -27°~+27° in vertical. Camera uses zone PTZ presets to track targets)
Camera Interface Description	
Interfaces	HDMI, 3G-SDI, RJ-45 (Supports PoE+), USB Type-A 2.0, 3.5mm Line IN, RS-232 IN, RS-232 OUT, RS-422 (Compatible with RS-485), Rotary DIP Switch, DC12V Power Supply Jack, Power Switch Button
Video Compression Format	Network: H.264, H.265 USB 2.0: MJPEG, H.264, H.265, YUY2, NV12
Audio Input	Double Track 3.5mm Linear Input
Audio Output	HDMI, Network, USB 2.0, 3G-SDI
Audio Compression Format	AAC
RJ-45 Port	10M/100M/1000M adaptive Ethernet port, support PoE+ (802.3at) power supply, supports audio and video output
Network Protocols	RTSP, RTMP, ONVIF Profile S, SRT, NDI HX and NDI HX3 Supports VISCA-over-IP, NDI, and ONVIF Profile S network control protocols
Control Ports	RS-232 IN, RS-232 OUT, RS-422 (compatible with RS-485)
Serial Port Communication Protocols	VISCA/Pelco-D/Pelco-P Supported baud rate: 115200/38400/9600/4800/2400
USB Communication Protocol	UVC (Video Communication Protocol), UAC (Audio Communication Protocol)

TECHNICAL SPECIFICATIONS

Power Supply	HEC3800 Outlet (DC12V)
Power Adapter	AC110V-AC220V to DC12V/2.5A
Input Voltage	DC12V±10%
Input Current	<1A
Consumption	<12W
PTZ Parameters	
Pan Move	-110° ~ +110°
Tilt Move	-27° ~ +27°
Pan Speed	0.1°/s ~ 100°/s
Tilt Speed	0.1°/s ~ 70°/s
Preset Speed	Pan: 78.8°/s, Tilt: 31.7°/s
Preset Quantity	Up to 255 presets (10 can be configured and used via remote control)
Other Parameters	
Storage Temperature	-10°C ~ +60°C
Storage Humidity	20% ~ 95%
Working Temperature	-10°C ~ +50°C
Working Humidity	20% ~ 80%
Dimensions	220mm (L) × 144mm (W) × 159mm (H)
Weight	1.7kg
Intended Environment	Indoors
Accessories	
Supplied Accessories	Power Supply Unit, RS-232 Control Cable, USB Type-A 2.0 Cable, Remote Control, Camera Setup Guide
Suggested Accessories	A-B01 Camera Bracket (https://www.a-dena.com/product-page/a-b01) RADA Duo Wireless Microphones (https://www.a-dena.com/product-page/rada-duo)