

DVDO

DVDO-Xtend-USBC-HDMI-70

4K HDMI/USB-C 70m Extender Over HDBaseT 3.0 With USB 2.0

DVDO-Xtend-USBC-HDMI-70 is an 18Gbps HDBaseT 3.0 extender that can transmit uncompressed HDMI, USB-C and USB 2.0 signals up to 230ft/70m (4K30 / 1080p) or 131ft/40m (4K60) via a single CAT6A/7 cable. It supports video resolutions up to 4K2K@60Hz YUV 4:4:4 as well as bi-directional 24V POC.

The transmitter includes 1 x HDMI input, 1 x USB-C input (60W charging), 1 x USB Host and 3 x USB Device ports. The receiver includes 1 x HDMI output and 2 x USB Device ports.

Both transmitter and receiver support 3.5mm analog audio de-embedding, EDID management, bi-directional IR and RS-232.

Applications:

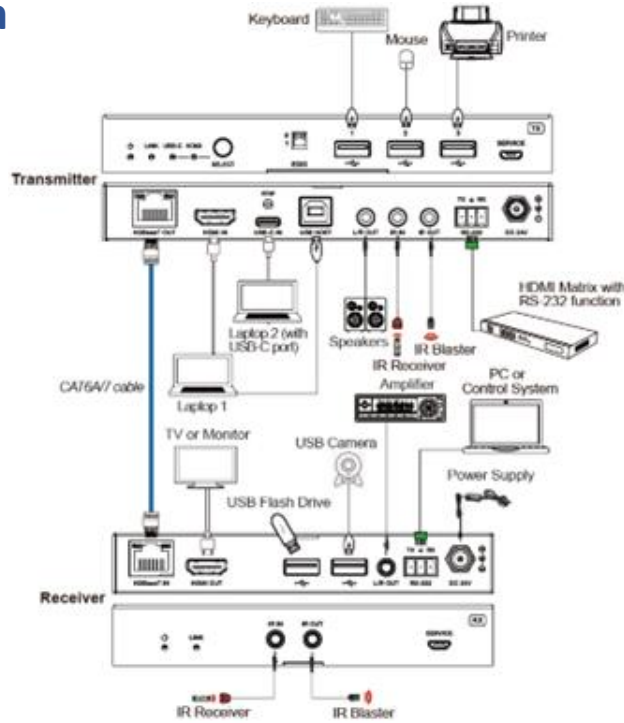
- Conference Rooms
- Education
- Healthcare
- Courtrooms
- Residential



Features

- Compliant with HDMI 2.0b and HDCP 2.3, 18Gbps video bandwidth & HDBaseT 3.0
- Video resolution up to 4K2K@60Hz (YUV 4:4:4)
- Uncompressed video transmission up to 230ft/70m for 4K@30Hz & 1080p signals or 131ft/40m for 4K@60Hz signals over a single CAT6A/7 cable
- Tx includes 1 x HDMI and 1 x USB-C inputs, 1 x HDBT output, 1 x USB 2.0 host and 3 x USB 2.0 clients
- Rx includes 1 x HDMI output, 2x USB 2.0 clients
- USB-C and HDMI signal inputs support auto or manual switching mode
- Auto switching supports HDMI 5V or signal detect selection
- USB-C supports DP-ALT mode for A/V, USB 2.0 data and power charging up to 60 watts
- Tx/Rx USB-A client ports VBUS on or off depends on whether the USB host is connected or not
- HDR, HDR10, HDR10+, Dolby Vision LLM and HLG pass-through
- 4K to 1080p downscaling through HDMI output
- Both Tx and Rx support analog audio de-embedding
- RS-232 signal pass-through and guest-mode control
- Bi-directional IR pass-through, USB 2.0 signal transmission
- Advanced EDID management
- Each USB-A port provides power up to 5V/500mA
- Bi-directional 24V POC, with POC switch

Application Diagram



Technical Specifications

Technical	
Compliance	HDMI 2.0b / HDCP 2.3 / USB 2.0
Video Bandwidth	18Gbps
Video Resolution	Up to 4K@60Hz 4:4:4
Color Space	RGB, YCbCr 4:4:4, YCbCr 4:2:2, YCbCr 4:2:0
Color Depth	8/10/12bit
IR Level	12Vp-p
IR Frequency	Wideband 20K-60KHz
HDR	HDR, HDR10, HDR10+, Dolby Vision, HLG
Audio Formats	- HDMI/USB-C/HDBT: LPCM 2/5.1/7.1CH, Dolby Digital/Plus/EX, Dolby True HD, DTS, DTS-EX, DTS-96/24, DTS High Res, DTS-HD Master Audio, DSD - 3.5mm Analog Audio: LPCM 2CH
Transmission Distance	- 4K60: 131ft/40m (CAT6A/7) - 4K30/1080p: 230ft/40m (CAT6A/7)
ESD Protection	Human body model: ±8kV (Air-gap discharge) & ±4kV (Contact discharge)
Connections	
Transmitter	Inputs: 1 x HDMI IN [Type A, 19-pin female] 1 x USB-C IN [USB Type C, 24-pin female] Outputs: 1 x HDBaseT OUT [RJ45, 8-pin female] 1 x L/R OUT [3.5mm Stereo Mini-jack] Control: 1 x IR IN [3.5mm Stereo Mini-jack] 1 x IR OUT [3.5mm Stereo Mini-jack] 1 x RS-232 [3pin-3.81mm phoenix] 1 x SERVICE [Micro USB, 5-pin female] 1 x USB HOST [USB Type B, 4-pin female] 3 x USB Devices [USB Type A, 4-pin female]

Connections	
Receiver	Inputs: 1 x HDBaseT IN [RJ45, 8-pin female] Outputs: 1 x HDMI OUT [Type A, 19-pin female] 1 x L/R OUT [3.5mm Stereo Mini-jack] Control: 1 x IR IN [3.5mm Stereo Mini-jack] 1 x IR OUT [3.5mm Stereo Mini-jack] 1 x RS-232 [3pin-3.81mm phoenix] 1 x SERVICE [Micro USB, 5-pin female] 2 x USB Devices [USB Type A, 4-pin female]
Mechanical	
Housing	Metal Enclosure
Color	Black
Dimensions	Transmitter: 170mm [W] x 102mm [D] x 22mm [H] Receiver: 144mm [W] x 78mm [D] x 23mm [H]
Weight	Transmitter: 484g, Receiver: 318g
Power Supply	Input: AC 100 - 240V 50/60Hz Output: DC 24V/3.75A (US/EU standard, CE/FCC/UL certified)
Power Consumption (Max)	94.32W (Power supply from Tx, 60W USB-C charging, POC to Rx) 10.8W (Power supply from Tx or Rx, without USB-C charging)
Operating Temperature	32 - 104°F / 0 - 40°C
Storage Temperature	-4 - 140°F / -20 - 60°C
Relative Humidity	20 - 90% RH (no condensation)