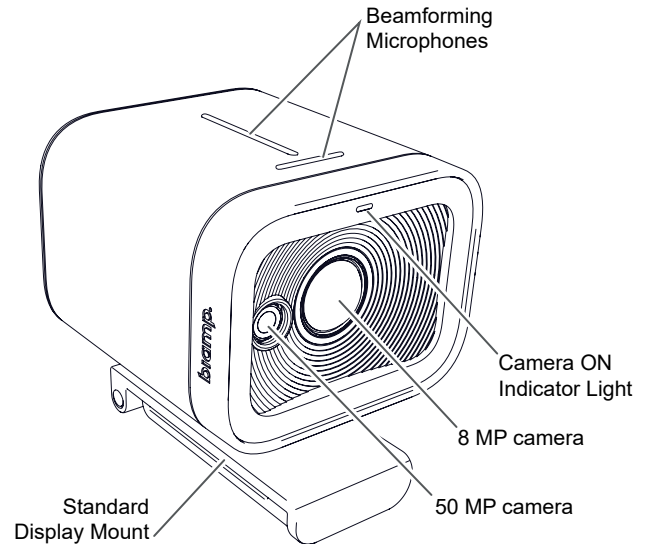


Vidi 280 Conferencing Camera Installation & Operation Guide



PRODUCT DETAILS



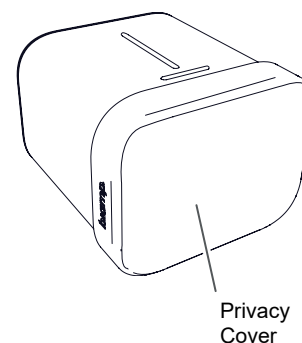
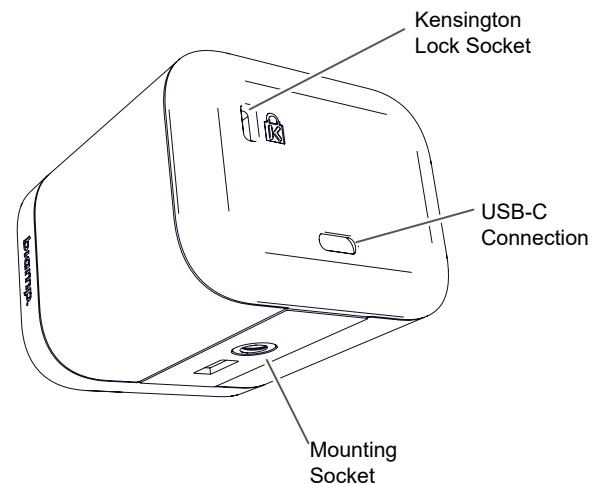
PRODUCT DESCRIPTION

The Vidi 280 is a dual lens wide angle 4K camera designed for use with video conferencing systems. The Vidi 280 uses auto framing technology to adjust the focus and zoom to keep participants in view. The Vidi 280 can be either display mounted or wall mounted.

The Vidi 280 takes advantage of USB 3.0 power and transmission capabilities when using the included USB 3.0 cable to maximize camera and video performance.

FEATURES

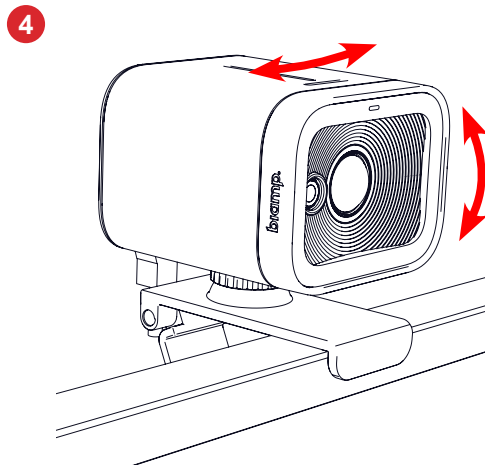
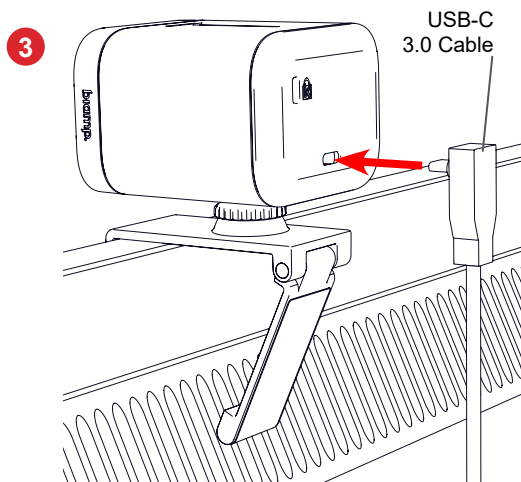
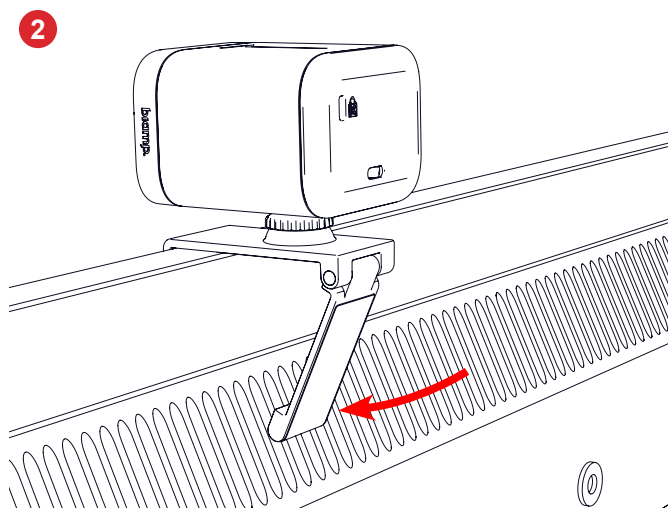
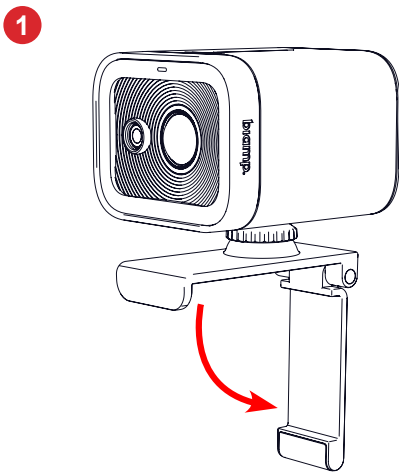
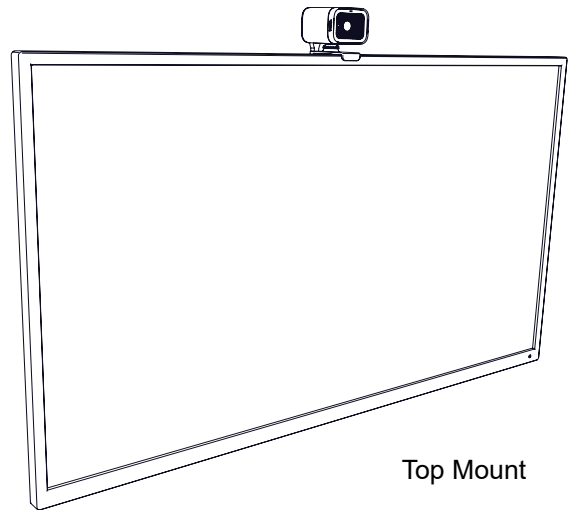
- LED indications for camera activity
- Dual lenses: 8 MP wide angle (120° horizontal field of view [HFoV]) and 50 MP (86° HFoV) for people further away
- Pan/Tilt/Zoom with 16x digital zoom
- Auto framing technology keeps participants in frame
- Multi-microphone array
- USB 3.0 cable (recommended for best performance)
- Above and under display mounts included
- Side and wall mount accessories (optional)
- Optional camera control software for manual control



CAMERA INSTALLATION

Top Mount: *(attached to the camera)*

1. Pull the lower arm of the mount down.
2. Position the mount onto the top of the display and push the lower arm against the back of the device to secure.
3. Plug the included USB 3.0 cable into the back of the camera. (See the [Important note](#) below)
4. Remove the privacy cover and aim the camera.
5. Optional - Install Biamp Cameral Control App for manual control of user profiles and camera settings.

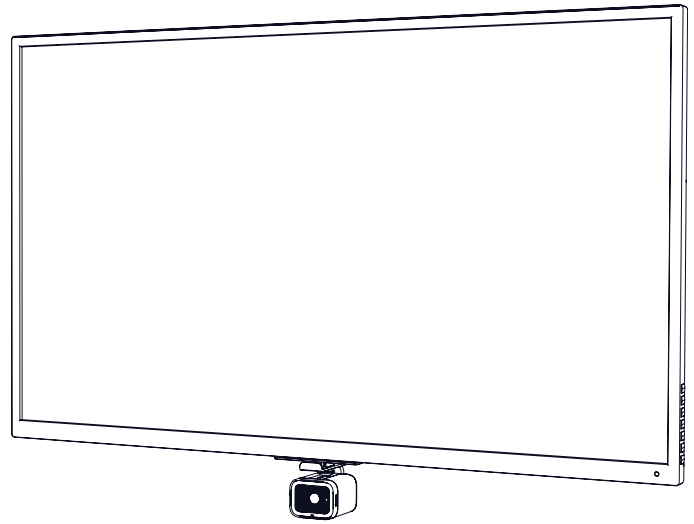


! **IMPORTANT:** Use the included USB 3.0 cable to maximize camera performance. If using third-party cables, verify all connections support at least USB 3.0 power delivery and data bandwidth for the best camera performance. If any USB cable, extension, hub, or port does not support USB 3.0, the camera will operate in an USB 2.0 compatibility mode with reduced performance and video resolution due to the limited power availability and bandwidth.

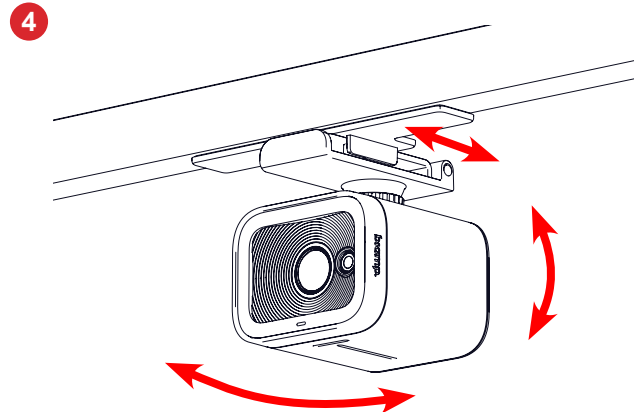
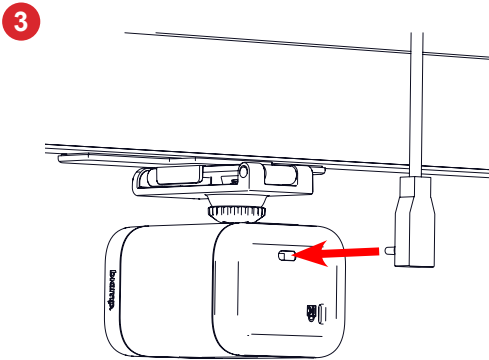
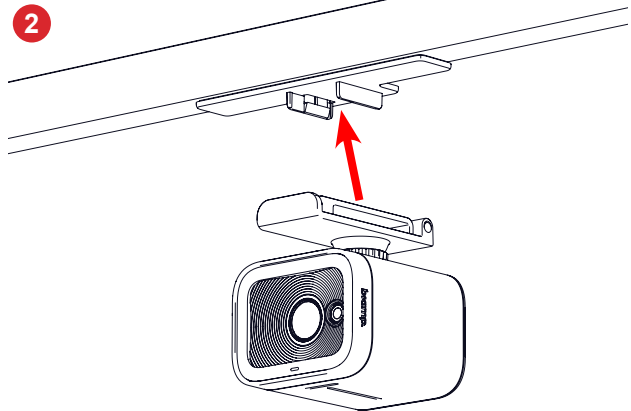
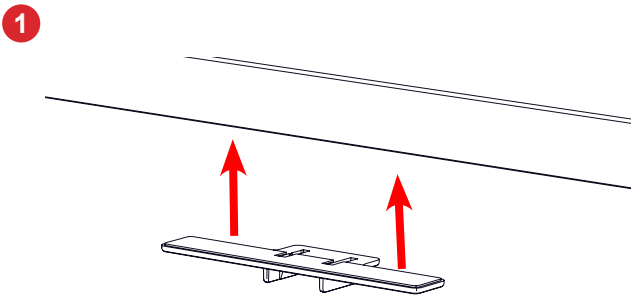
Under-Display Plate: (included)

The Vidi 280 has a sensor that detects when it is mounted upside-down so it isn't necessary to use the "Flip" option in the Biamp Camera Controller. The image will appear correctly oriented on screen.

1. Adhere the adhesive plate to the underside of the TV or monitor. To ensure proper adhesion, properly clean the mounting surface and apply pressure to the mount for 30 seconds. If possible, wait 24 hours before mounting the camera to ensure maximum bond.
2. Turn the camera and mount upside down and push the top mount into the under-display plate clips as shown. The camera/mount will be able to move forward and backward slightly.
3. Plug the USB 3.0 cable into the back of the camera. (Refer to the [Important note](#) on pg 2).
4. Remove the privacy cover and aim the camera.
5. Optional - Install Biamp Cameral Control App for manual control of user profiles and camera settings.



Under-Display Mount

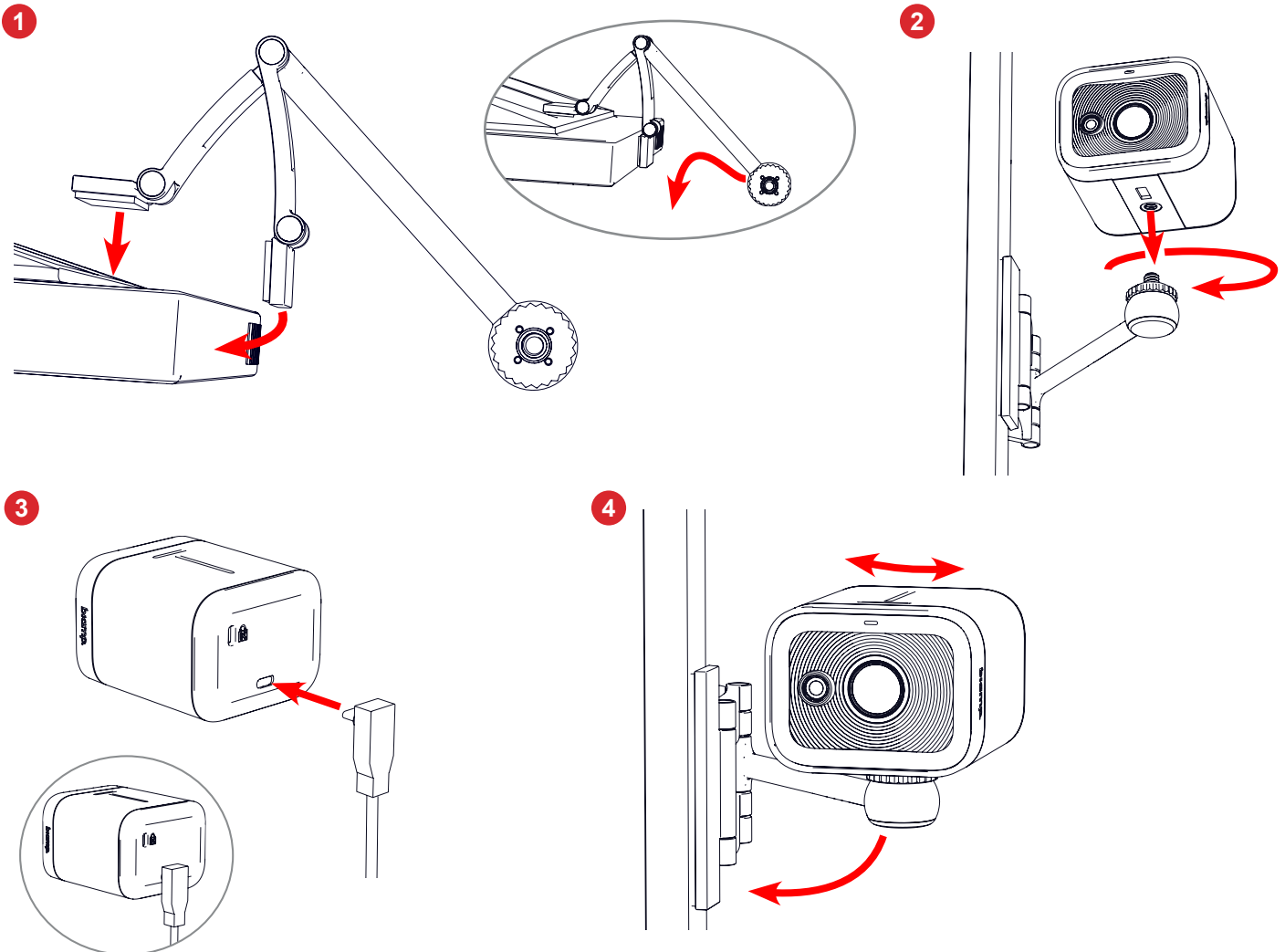


Optional Side Mount Accessory (VMA 200-DM) typical installation:

1. Open the side clamps and position on the back or side of a TV or monitor, so the arm can position the camera beside the display. To ensure proper adhesion, properly clean and dry the mounting surface. Uncover the adhesive strips and attach mount to the display. Apply pressure to the mounts for 30 seconds. If possible, wait 24 hours before attaching the camera to ensure maximum bond.
2. Remove the camera from the top mount and screw it onto the side mount until tight. Keep the privacy cover on. Do not push down on the arm while screwing the camera on the mount.
3. Plug the USB cable into the back of the camera. (Refer to the [Important note](#) on pg 2).
4. Remove the privacy cover and carefully move/rotate the arm and camera to point to the desired location.
5. Optional - Install Biamp Cameral Control App for manual control of user profiles and camera settings.



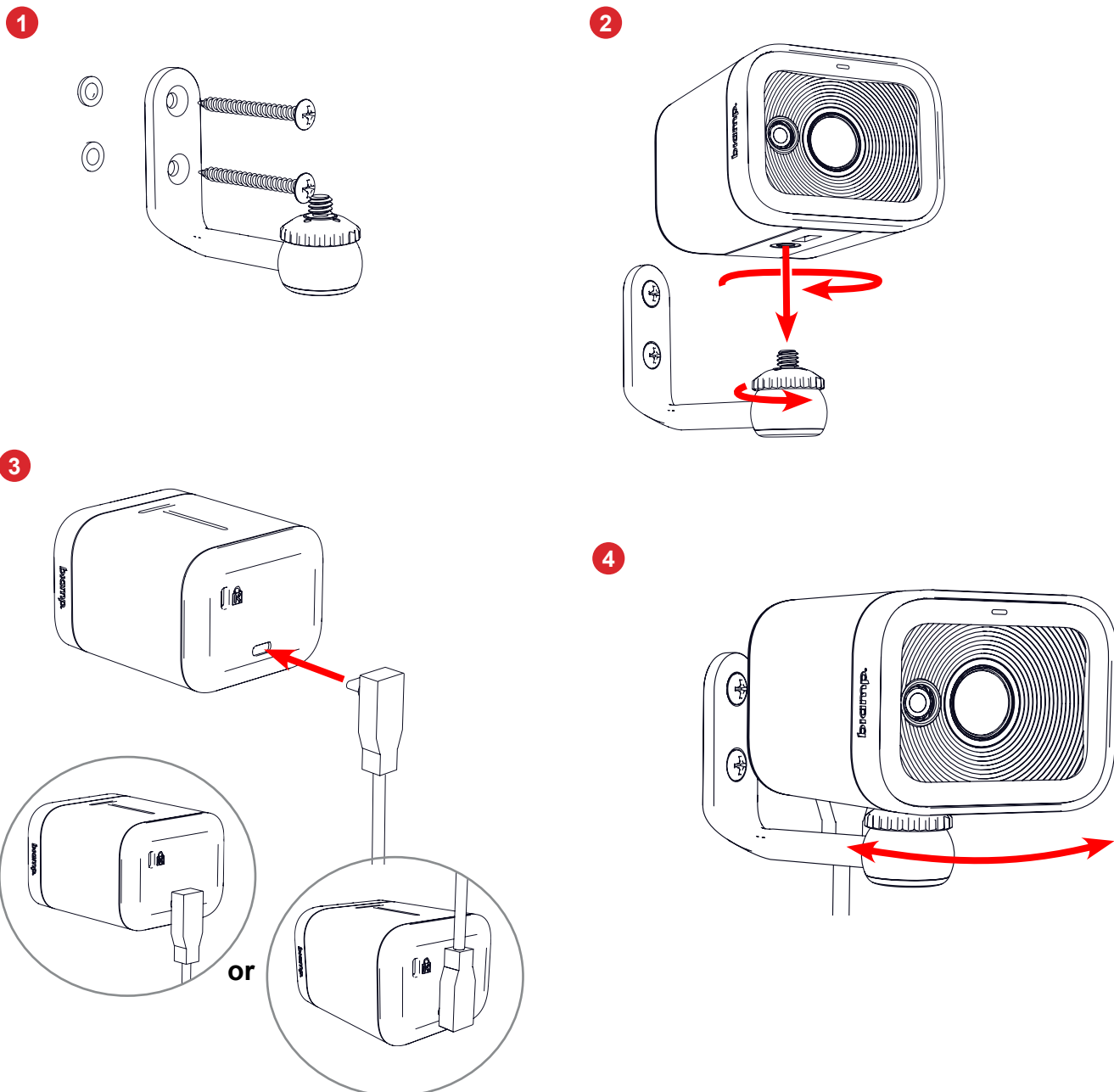
Side Mount



Optional Wall Mount Accessory (VMA 200-WM) installation:

Position the wall mount on a vertical surface (wall or furniture) close to the TV or monitor and mark the hole locations. Prepare the surface or pre-drill the holes as necessary.

1. Attach the mount to the surface (*shown with screw / anchors*).
2. Remove the camera from the top mount and screw the camera onto the wall mount until tight.
3. Plug the USB cable into the back of the camera. It can be inserted upside down if the wall mount arm is in the way (see circled images). (Refer to the [Important note](#) on pg 2).
4. Remove the privacy cover and carefully move the camera to point to the desired location.

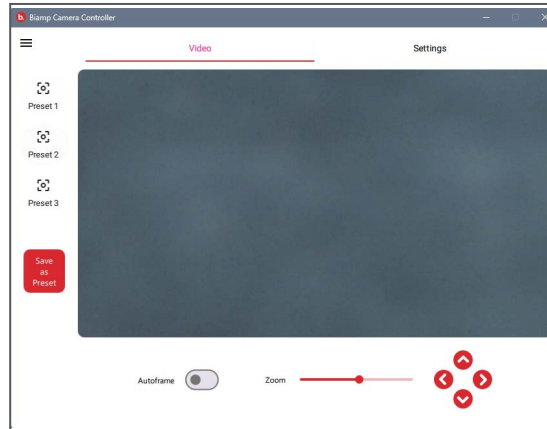


Biamp Camera Controller software (App)

The Biamp Camera Controller provides manual control of Biamp conferencing cameras. This software, available on both PC and Mac, is available from the Vidi 280 firmware/software tab [<here>](#) This software will detect a connected camera and provide a preview window with additional controls on two tabs. Information about the software and settings is available in the help file: cameracontroller-help.biamp.com.

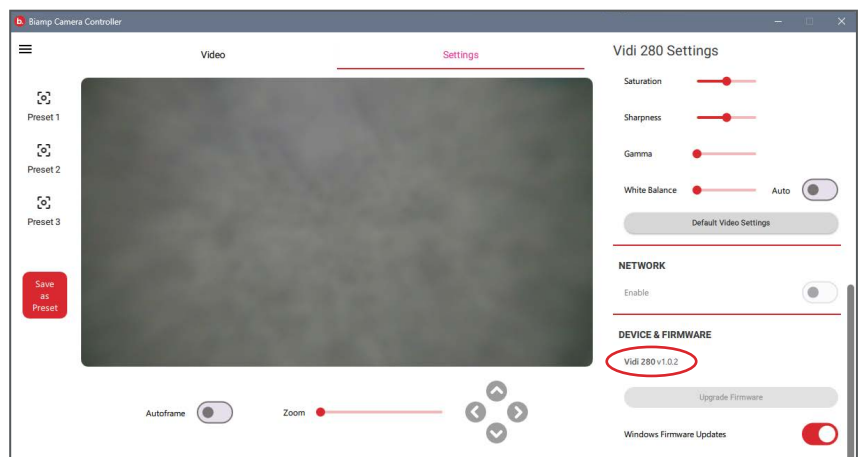
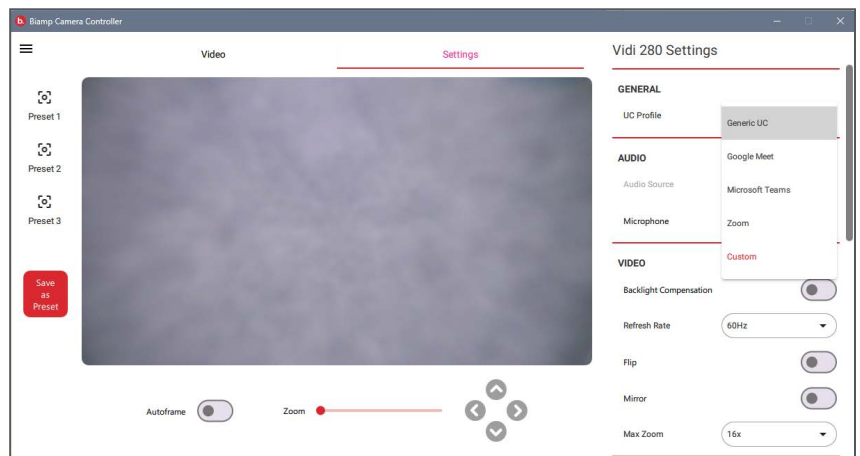
Video

- Preset saving and recall (x3)
- Manual zoom and panning
- Enable autoframing



Settings

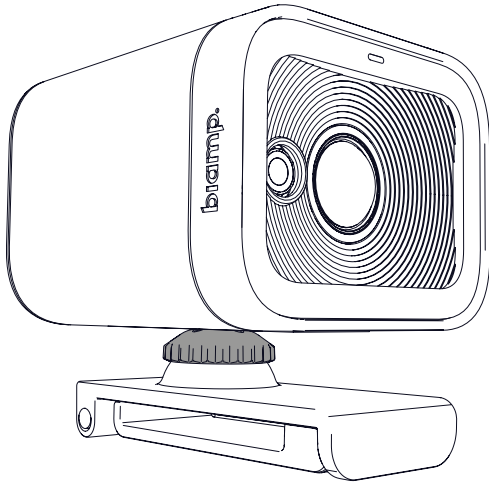
- Profile (options shown at right)
- Audio: enable the microphone
- Video: set Backlight Compensation, Refresh Rate, Max Zoom (Flip is not necessary for Vidi 280 under-display mounts).
- Advanced Video: set individual qualities - will show as a Custom profile, until a profile is changed.
- Network: (n/a for this device)
- Device & Firmware: upgrade the firmware. Firmware can be downloaded from the Vidi 280 firmware/software tab [<here>](#). You must download the firmware file before installing the new version. The current firmware version is shown (circled) for reference.
Note: Upgrades aren't necessary if the camera is performing well, but are necessary to take advantage of all the setting options (profiles, auto update, etc.)
- Enable automatic updates (via Microsoft® Windows® - Windows PCs only). It is on by default when using the Microsoft Teams® profile, but can be chosen when using the other profiles.



IMPORTANT: Do not unplug the camera during a firmware update!

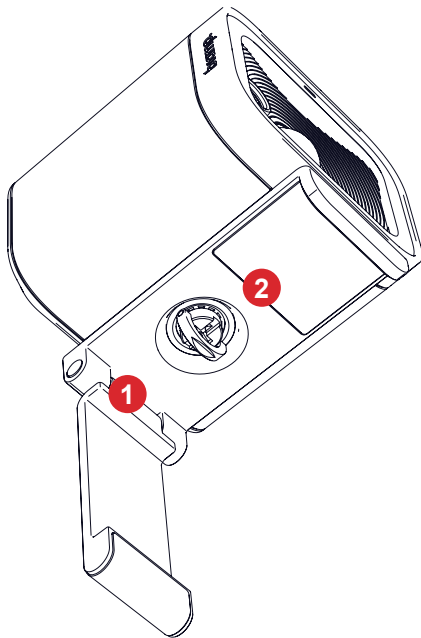
Maintenance

- Clean the camera lens with a soft non-abrasive cloth
- The camera may be tightened on all of the mounts (Standard, Side, and Wall) to prevent unplanned movement by turning the ribbed dome on the ball (indicated by arrow).



Standard Mount (only)

- The camera may also be tightened on the standard mount by doing the following:



1. Remove mount from the display, and pull ring down.
2. Rotate to tighten the ball.
3. Fold the ring back up and place camera back on the display.



CONTACT US

Email: support@biamp.com

Web: support.biamp.com

Warranty: biamp.com/legal/warranty-information

Safety & Compliance: biamp.com/compliance

Microsoft, Microsoft Teams, and Windows are trademarks of the Microsoft group of companies.

Zoom is a trademark of Zoom Video Communications, Inc., registered in the U.S. and other countries.

Google Meet™ and Hangouts are trademarks of Google LLC.



A: 9300 S.W. Gemini Drive Beaverton, OR 97008 USA

W: www.biamp.com

9SEP2024