

DVDO

DVDO-Xtend-USBC-USB-100

USB-C & USB-A 3.2 Gen 1

100m Extender over HDBaseT



DVDO-Xtend-USBC-USB-100 is a USB extender that can transmit USB 3.2 Gen 1 signals up to 100m/328ft via a single CAT6a cable.

The transmitter includes one USB-C host port as well one USB-C and two USB-A device ports. The receiver includes two USB-C and two USB-A device ports.

It can be widely used for long distance USB signal transmission between USB sources and devices like webcams, PTZ cameras, keyboards, mouse devices, USB microphones, flash sticks, printers, scanners, touch panel displays and other USB devices.

It supports bi-directional 24V PoC (Power over Cable), allowing the power supply to be connected to either the transmitter or the receiver.

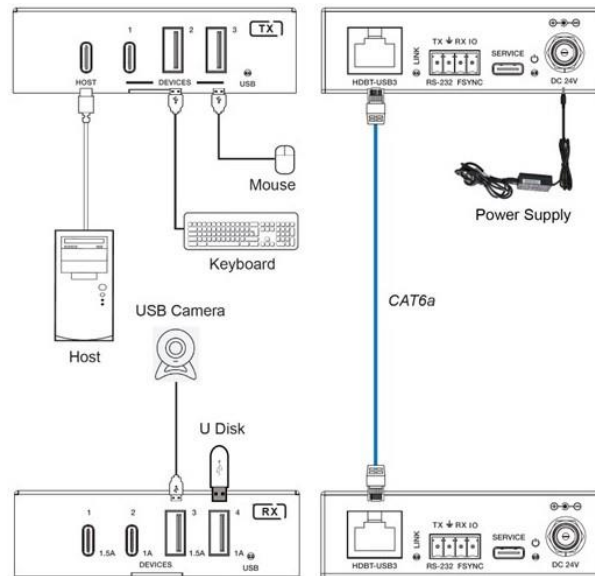
Features

- Extension of USB 3.2 Gen 1 signals up to 100m/328ft via CAT6a cable
- USB 3.2 Gen 1 connectivity with data transfer rate up to 5Gbps
- Backwards compatible with USB 2.0 and 1.1
- Hardware acceleration for isochronous and bulk transfer
- Tx features 1x USB-C host port, 1x USB-C and 2x USB-A device ports
- Rx features 2x USB-C (1x 5V@1A and 1x 5V@1.5A) and 2x USB-A device ports (1x 5V@1A and 1x 5V@1.5A)
- Support bi-directional 24V PoC (Power over Cable)
- Plug-and-play with no drivers, downloads, or software required

Applications

- Conference Rooms
- Hospitality
- Digital Signage
- Houses of Worship
- Education
- Restaurants
- Retail
- Residential

Application Diagram



Technical Specifications

Technical	
USB Protocol	USB 3.2 Gen 1
Transmission Rate	Up to 5Gbps
Transmission Distance	100m/328ft via CAT6a (F/FTP) cable 1.5m/4.9ft via USB cable
ESD Protection	IEC 61000-4-2: ±8kV (Air-gap discharge), ±4kV (Contact discharge)
Connections	
Transmitter	Input: 1 x HOST [USB Type C, 24-pin female] Output: 1 x USB-C DEVICE [USB Type C, 24-pin female] + 2 x USB-A DEVICE [USB Type A, 9-pin female] + 1 x HDBT-USB3 [RJ45 connector, 24V PoC] Control: 1 x RS-232 [3pin-3.5mm phoenix connector] + 1 x FSYNC [1pin-3.5mm phoenix connector] + 1 x SERVICE [USB Type C, firmware update port]
Receiver	Input: 1 x HDBT-USB3 [RJ45 connector, 24V PoC] Output: 2 x USB-A DEVICE [USB Type A, 9-pin female] + 2 x USB-C DEVICE [USB Type C, 24-pin female] Control: 1 x RS-232 [3pin-3.5mm phoenix connector] + 1 x FSYNC [1pin-3.5mm phoenix connector] + 1 x SERVICE [USB Type C, firmware update port]
Mechanical	
Housing	Black metal enclosure
Dimensions	Tx / Rx: 100mm [W] x 85mm [D] x 25.5mm [H]
Weight	Tx: 265g; Rx: 275g
Power Supply	Input: AC 100~240V 50/60Hz; Output: DC 24V / 3.75A
Power Consumption	Tx: 23W (Max); Rx: 35W (Max); Tx + Rx: 68W (Max, including line loss)
Operating Temperature	0°C ~ 40°C / 32°F ~ 104°F
Storage Temperature	-20°C ~ 60°C / -4°F ~ 140°F
Relative Humidity	Operating: 20%~80% / Storage: 10%~90% (non-condensing)