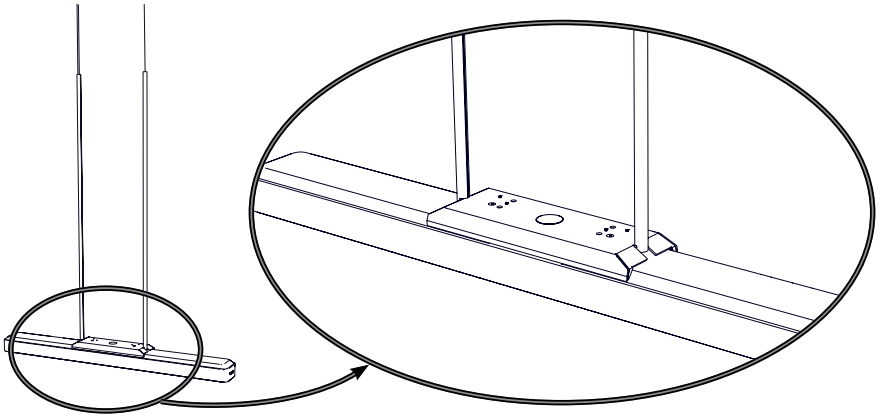


Parlé Ceiling Mounted Bar: Cable Mount (CBC 2500 CM) Installation Guide



CONTENTS

- Parlé ABC 2500/2500a Bar
- Mounting Plate with Center Plug (x1)
- Decorative Cable Covers (x2) 39" [1m]
Aircraft Cables (x2) 10' [3m]
- Grippers (x2)
- Eyebolts (Lag screw-type) (x2)
- USB Cable (x1) 32.8' [10m]
- Power Cable (x1) 32.8' [10m]
- Instructions

SUGGESTED TOOLS

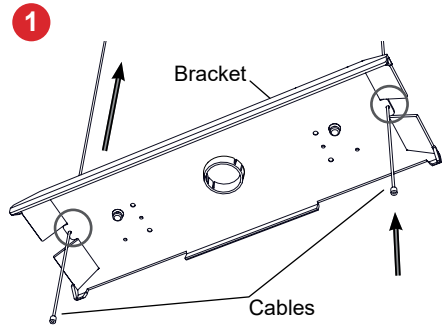
- (#2) Phillips Screwdriver
- Magnetic Level 6"-9" [150-230mm]

BASIC INSTALLATION

1. Hang and level mounting bracket using aircraft cables and grippers
2. Remove table stand from bar
3. Hang bar on bracket
4. Secure bar to bracket
5. Connect USB, power and audio cables
6. Rotate bar up to the bracket
7. Attach cable covers
8. Power and test the bar

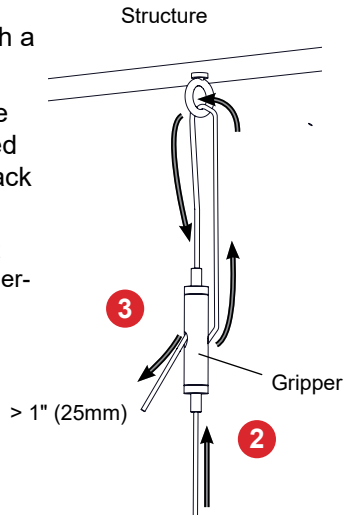
Installation in an open ceiling

1. Thread cables up through the bracket tabs (circled).



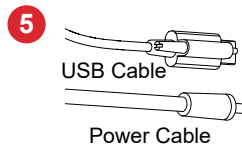
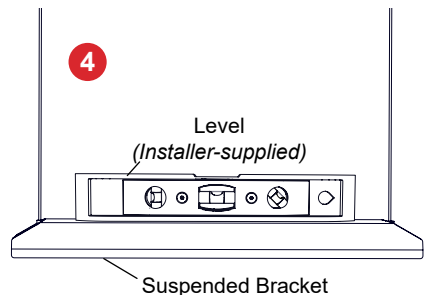
2. Thread the open end of each cable through a gripper.
3. Hang the cable/ bracket assembly from the structure. Loop the cable through a secured eyebolt or other mounted hardware and back through the gripper.

Note: Lag screw-type eyebolts (2) are included, but differing structure materials may dictate other installer-supplied mounting hardware.

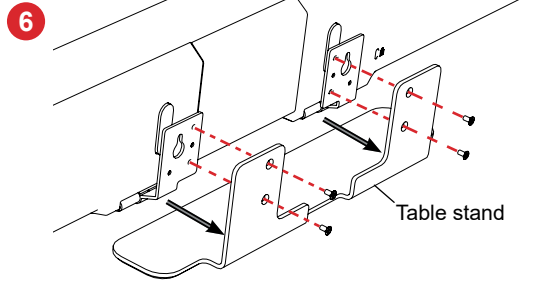


4. Adjust the bracket to the desired height and level it. Trim excess cable, but there **must** be at least 1" (25mm) of cable protruding from the gripper to ensure it is fully locked.
5. Run the power, USB (and optional audio) cables to the bracket.

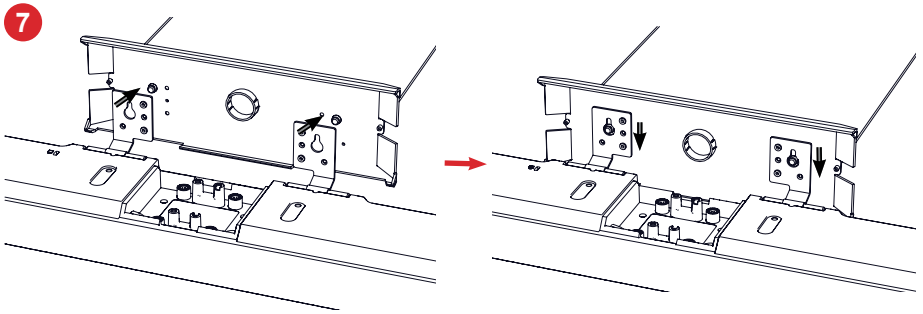
Note: the USB cable is unidirectional. The end with the screw will need to be plugged / secured to the bar.



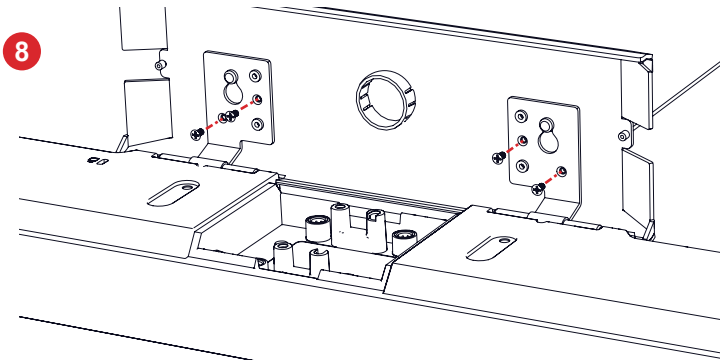
6. Remove the table stand from the Parlé bar and reserve the (4) flat head screws to reattach the bar to the suspended ceiling bracket.



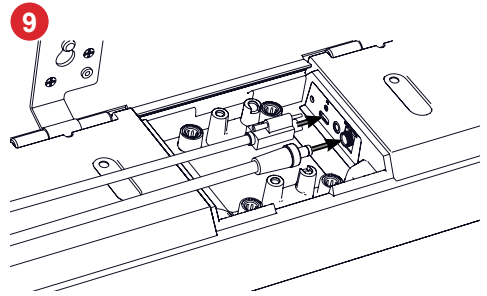
7. Open the hinges and hang the bar on the knobs on the underside of the bracket. The bar will be fully supported by the cables at this point.



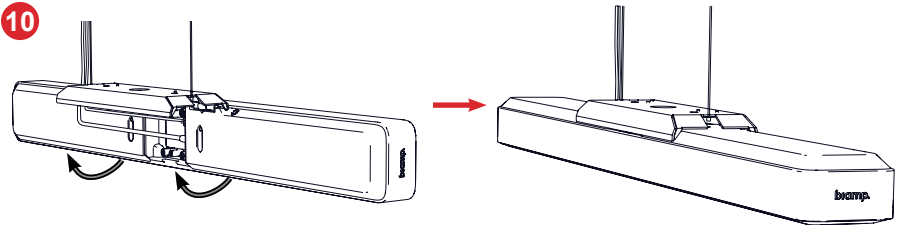
8. Secure the bar to the bracket by inserting the screws (reserved from the table stand removal) through the hinge plates and fully threading them into the bracket (2 screws per hinge).



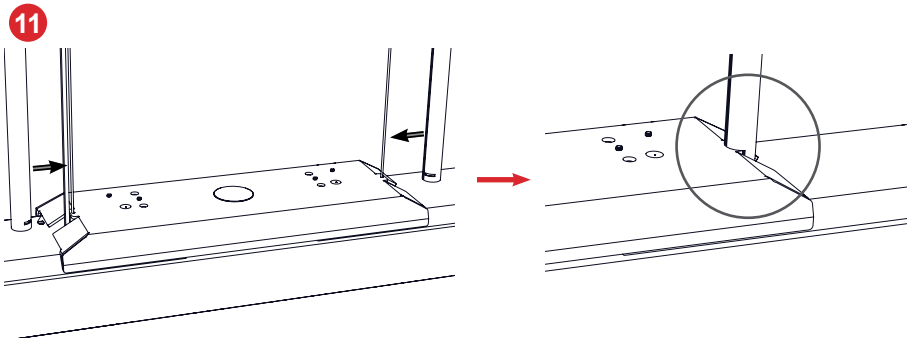
9. Connect the power / USB / audio cables. Screw the power and USB cables into the port jacks to secure them. Refer to the installation manual for complete bar instructions. (bia.mp/ABC-VBC_manual)



10. Rotate the bar up to rest against the underside of the bracket. Use two hands in the middle of the bar to rotate it. Don't use a twisting motion or rotate from one side only. Route cables through the side cutouts in the bracket.



11. Fit the cable covers over the cables and press the bottom slot in the cover onto the bracket tab (circled) to keep it in place.
12. Power and test the bar. Press the Launch button to optimize the audio for the room.



CONTACT US

Email: support@biamp.com

Web: support.biamp.com

biamp.

A: 9300 Gemini Drive, Beaverton, OR 97008

W: www.biamp.com

585.0353 25SEP2024