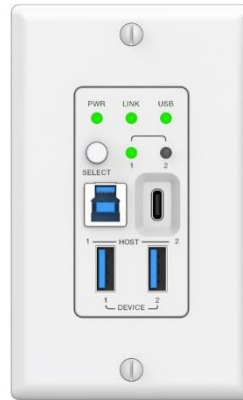


DVDO

DVDO-Xtend-USBC-USB-WB-1

2-Host USB-C & USB 3.2 Gen 1
100m Extender over HDBaseT



DVDO-Xtend-USBC-USB-WB-1 is a USB extender that can transmit USB 3.2 Gen 1 signals up to 100m/328ft via a single CAT6a cable.

The wall plate transmitter includes one USB-C and one USB-B host ports as well two USB-A device ports. The receiver includes one USB-C and three USB-A device ports.

It can be used for long distance signal transmission between USB sources such as laptops and desktop computers and USB devices such as webcams, PTZ cameras, keyboards and mice, microphones, speakerphones, printers, scanners, touch panel displays, etc...

It supports bi-directional 24V PoC (Power over Cable), allowing the power supply to be connected to either the transmitter or the receiver.

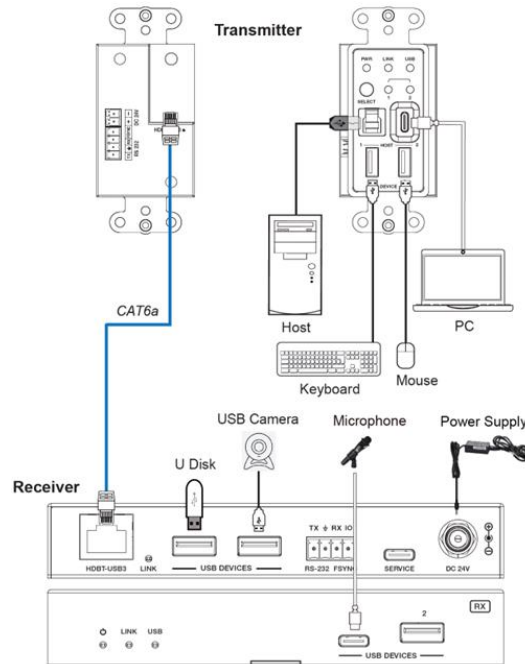
Features

- Extension of USB 3.2 Gen 1 up to 100m/328ft via CAT6a cable
- USB 3.2 Gen 1 connectivity with data transfer rate up to 5Gbps
- Backwards compatible with USB 2.0 and 1.1
- Hardware acceleration for isochronous and bulk transfer
- Wall plate Tx features 1 x USB-C + 1 x USB-B selectable input ports and 2 x USB-A device ports
- Auto switching and manual switching modes
- Rx features 1 x USB-C and 3 x USB-A output ports (2 x 5V@1A and 2 x 5V@1.5A)
- RS-232 pass-through and API control
- Firmware upgrade via USB-C service port
- FSYNC GPIO pass-through for industry camera use
- Bi-directional 24V PoC (Power over Cable)
- Plug-and-play with no drivers, downloads or software required

Applications

- Conference Rooms
- Education
- Hospitality
- Restaurants
- Digital Signage
- Retail
- Houses of Worship
- Residential

Application Diagram



Technical Specifications

Technical	
USB Protocol	USB 3.2 Gen 1
Transmission Rate	Up to 5Gbps
Transmission Distance	100m/328ft via CAT6a (F/FTP) cable 1.5m/4.9ft via USB cable
ESD Protection	IEC 61000-4-2: ±8kV (Air-gap discharge), ±4kV (Contact discharge)
Connections	
Transmitter	Input: 1 x HOST 1 [USB Type C, 24-pin female] + 1 x HOST 2 [USB Type B, 9-pin female] Output: 2 x USB-A DEVICE [USB Type A, 9-pin female] + 1 x HDBT-USB3 [RJ45 connector, 24V PoC] Control: 1 x RS-232 [3pin-3.5mm phoenix connector] + 1 x FSYNC [1pin-3.5mm phoenix connector] + 1 x SERVICE [USB Type C, firmware update port]
Receiver	Input: 1 x HDBT-USB3 [RJ45 connector, 24V PoC] Output: 3 x USB-A DEVICE [USB Type A, 9-pin female] + 1 x USB-C DEVICE [USB Type C, 24-pin female] Control: 1 x RS-232 [3pin-3.5mm phoenix connector] + 1 x FSYNC [1pin-3.5mm phoenix connector] + 1 x SERVICE [USB Type C, firmware update port]
Mechanical	
Housing	Tx: White plastic front panel + Black metal enclosure / Rx: Black metal enclosure
Dimensions	Tx: 45 [W] x 42 [D] x 103.5 [H] mm / Rx: 140 [W] x 75 [D] x 23 [H] mm
Weight	Tx: 115g; Rx: 318g
Power Supply	Input: AC 100~240V 50/60Hz; Output: DC 24V / 3.75A
Power Consumption	62W (Max)
Operating Temperature	0°C ~ 40°C / 32°F ~ 104°F
Storage Temperature	-20°C ~ 60°C / -4°F ~ 140°F
Relative Humidity	Operating: 20%~80% / Storage: 10%~90% (non-condensing)