

# DVDO

## DVDO-Matrix-42b

### 4K 4x2 HDMI Matrix Switcher with Audio Outputs, HDR & ARC



DVDO-Matrix-42b is a compact matrix switcher with four HDMI inputs and two HDMI outputs, allowing to route independently up to four HDMI sources to two separate displays.

It supports HDMI signals with resolutions up to 4K60 4:4:4 with an 18Gbps bandwidth.

It can de-embed the audio from an HDMI input into separate optical and analog L/R audio outputs.

It also supports ARC, HDR, 4K to 1080p downscaling as well as advanced EDID management.

The unit can be controlled with its front panel buttons and remote control.

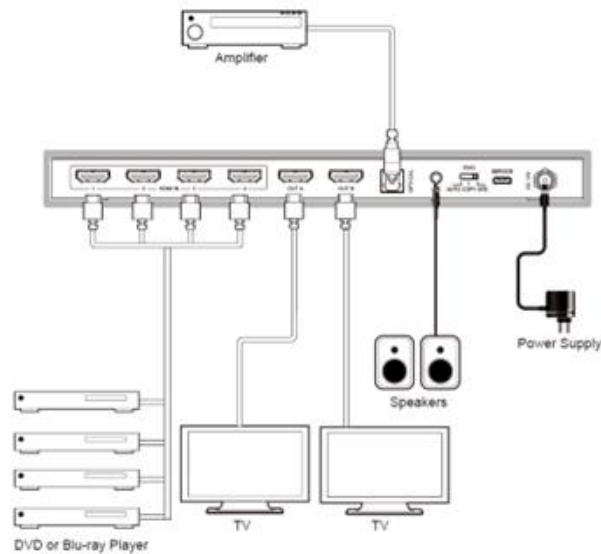
## Features

- HDMI 2.0, HDCP 2.2 / 1.4
- Video resolutions up to 4K2K@60Hz (YUV 4:4:4)
- Supports 18Gbps video bandwidth
- 4K -> 1080p downscaling
- Audio de-embedding with optical & analog L/R outputs (both outputting audio from the same HDMI input)
- ARC (Audio Return Channel)
- HDMI audio formats include PCM2.0/5.1/7.1CH, Dolby Digital/Plus/EX, Dolby True HD, DTS, DTS-EX, DTS-96/24, DTS High Res, DTS-HD Master Audio, DSD
- Support Dolby Vision, HDR 10+, HLG
- Advanced EDID management (AUTO/COPY/STD)
- Control via front panel buttons and IR remote control
- Compact design for easy and flexible installation

## Applications

- Conference Rooms
- Hospitality
- Digital Signage
- Houses of Worship
- Education
- Restaurants
- Retail
- Residential

# Application Diagram



## Technical Specifications

<b>Technical</b>	
HDMI Compliance	HDMI 2.0
HDCP Compliance	HDCP 2.2/1.4
Video Bandwidth	18Gbps
Video Resolutions	Up to 4K2K@50/60Hz (YCbCr 4:4:4), 4K2K@30Hz, all HDMI 3D TV formats
Color Space	RGB, YCbCr4:4:4, YCbCr4:2:2, YCbCr 4:2:0
Color Depth	8-bit, 10-bit, 12-bit [1080p, 4K30Hz, 4K60Hz (YCbCr 4:2:0)], 8-bit [4K60Hz (YCbCr4:4:4)]
HDMI Audio Formats	PCM2.0/5.1/7.1CH, Dolby Digital/Plus/EX, Dolby True HD, DTS, DTS-EX, DTS-96/24, DTS High Res, DTS-HD Master Audio, DSD
Optical Audio Formats	PCM2.0, Dolby Digital / Plus, DTS
L/R Audio Formats	PCM2.0CH (Note: If the ARC function is turned on, the audio port will mute.)
ESD Protection	Human-body Model: ±8kV (Air-gap discharge), ±4kV (Contact discharge)
<b>Connections</b>	
Inputs	4 x HDMI [Type A, 19-pin female]
Outputs	2 x HDMI [Type A, 19-pin female] 1 x L/R audio out [3.5mm Stereo Mini-jack] 1 x Optical audio out [S/PDIF]
<b>Mechanical</b>	
Housing	Black Metal Enclosure
Dimensions	251mm (W) × 105mm (D) × 20mm (H)
Weight	620g
Power Supply	Input: AC 100 - 240V 50/60Hz Output: DC 12V/1A
Power Consumption	3.8W (Max)
Operating Temperature	0°C ~ 40°C / 32°F ~ 104°F
Storage Temperature	-20°C ~ 60°C / -4°F ~ 140°F
Relative Humidity	20~90% RH (non-condensing)